



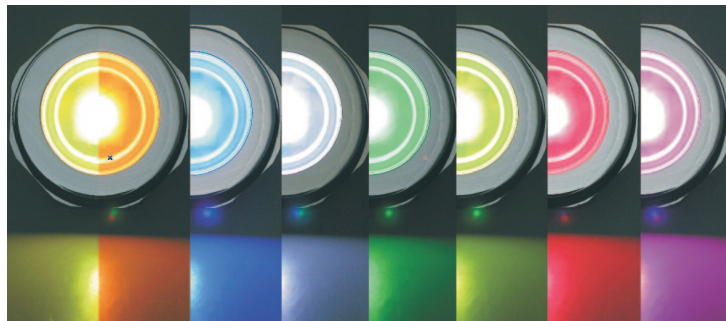
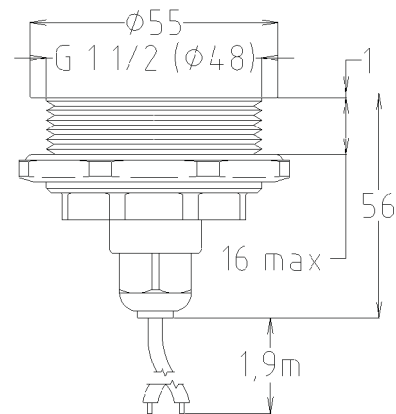
Chromotherapy with 5W RGB LED module SLIM version

The new chromotherapy light fits into the ultraslim line of components. All SLIM line components are only 1mm high. The body is made from brass with chrome plating. As a light source were used 5W high intensity LED RGB module with lifetime of 50000 hours. This RGB module has a full color spectrum in contrary with the old version where we used LED for each color separately. The 5W module has higher light intensity than 50pcs of standard LEDs.

For the new LED light we developed a new type of a control box. The new light is not compatible with the older version of control box for chromotherapy control (130200 V1CH)

Material: Brass / chrome

Innovation and design...



130220 Chromotherapy light SLIM with 5W RGB LED module
 130221 V1RGB Electronic control for chromotherapy 130220

145.68 € (VAT excl.)
 99.76 € (VAT excl.)

Date: 21.12.2010
 Rev.: 50 - 01 10 CZ